



RTD Sensor PT100

- With Cable Plug
- Without Cable Plug 3000mm Lead
- Wetted Parts Stainless Steel 316
- - 50°C to 250°C
- IP65

Description

The Resistance Thermometer is a general purpose compact 3 wire class B, PT100 element housed in a 6mm stem. Supplied with or without a DIN plug connector. The probe is offered in 316 stainless steel, in standard lengths of 50,100 & 150mm, it has a 1/2" BSP process connection that can be screwed direct or into pockets or thermowells. Offers easy installation and replacement whilst maintaining reliability. The removable connector cable socket is IP65 rated and has a central fixing screw complete with PG7 cable gland suitable for 4.5 to 6mm diameter instrument wires.

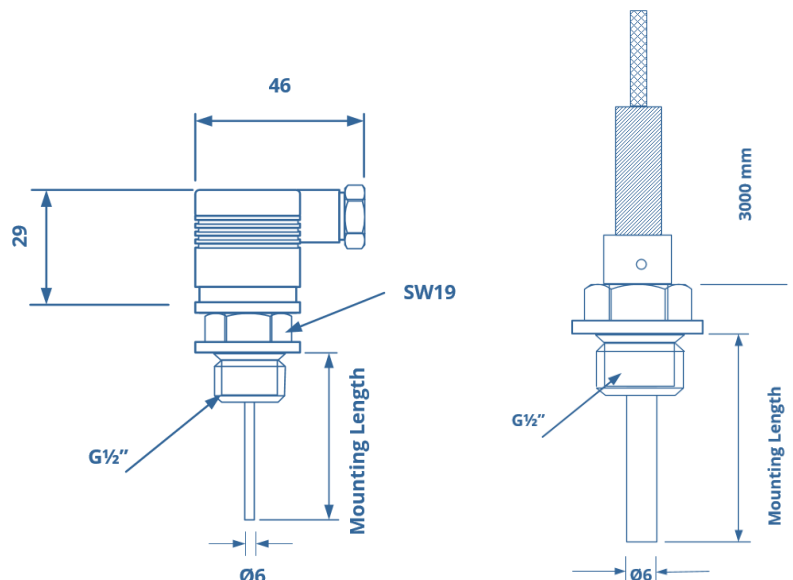
This device is offered for use in systems or with our range of temperature controllers.

Applications

OEM
Processing
Cooling and Monitoring
Vessels and Pipes

Technical Data	
Type	PT100 3 wire
Measuring Range	-50°C to 200°C
Ambient Temperature	Amb. 80°C
Tube Material	Stainless steel 1.4571
Accuracy	Class B
Connection	External Thread G1/2"
Process connection	3000mm PFA lead/tail
	Cable Plug Hirschmann
Protection Class	IP65

Technical Data	
Electrical Connection	Mounting Length (mm)
3m cable	50
3m cable	100
3m cable	150
Cable Plug	50
Cable Plug	100
Cable Plug	150



All information is sourced from our manufacturer's data and is intended for guidance only - Valves Online can accept no liability for changes, omissions or errors.